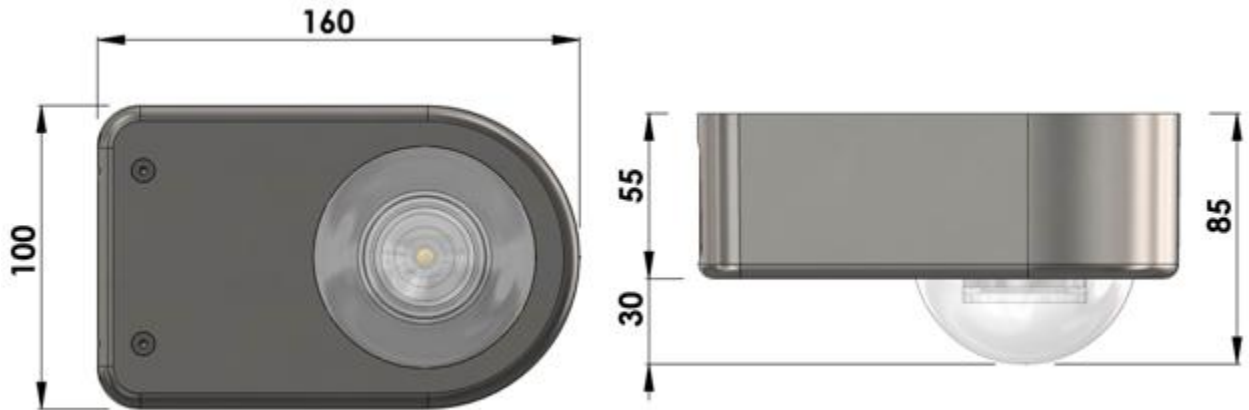


FISH EYE WALL (WW)



| | |
|---|--------------------|
| LIGHT SIZE | MEDIUM |
| FIXTURE TYPE | WALL |
| LIGHT COLOUR | WARM WHITE |
| LIGHT ANGLE (°) | 55 |
| OPTIMUM RANGE (M) | 2,5 |
| LUX | 123 |
| LIGHT TEMPERATURE (K) | 3000 |
| CRI (Colour Rendering Index) | 85 |
| IP CLASS | 67 |
| EXTERNAL TEMP. (IN OPERATION) (°C) | <50 |
| VOLTAGE | 12V AC |
| COMMUNICATED CONSUMPTION (W) | 5 |
| EFFECTIVE CONSUMPTION (W) | 4,1 |
| DRIVE-OVER (when installed)? | N |
| EST'D. LIGHT SOURCE LIFETIME (hours) | 25000 |
| WHEN USED 4 HOURS/DAY (in years) | 17,125 |
| OPTION 1 | CB-010E MINI-TRAFO |
| OPTION 2 | GROUNDSTAKE FE-W |